

Caution:

There are no user serviceable parts inside the unit. Do not open the housing or attempt any repairs yourself. In the unlikely event your unit may require service, please contact your nearest dealer.

Installation:

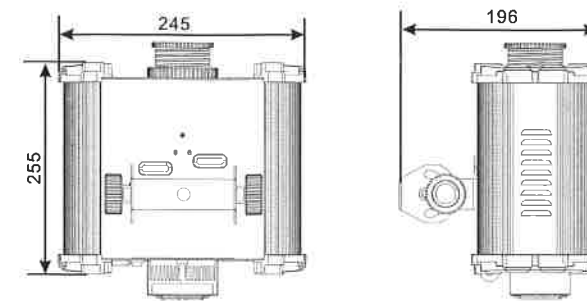
The unit should be mounted via its screw holes on the bracket. Always ensure that the unit is firmly fixed to avoid vibration and slipping while operating. Make sure that the structure to which you are attaching the unit is secure and is able to support a weight of 10 times of the unit's weight. Also always use a safety cable that can hold 12 times of the weight of the unit when installing the fixture.

The equipment must be installed by professionals. It must be fixed at a place where is out of the reach of people and no one pass by or under it.

2. Technical Specifications

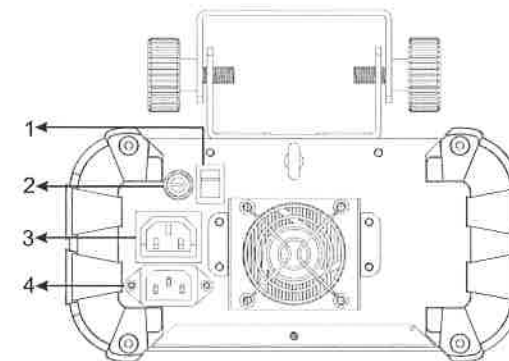
- ◇ Light Sources: 1 x 25W CREE white LED
- ◇ Beam Angel: 40°
- ◇ Water Wave Effect: 2 wheels for perfect water wave effects
- ◇ Color Wheel: 5 color plus white, with a switch for static or wheel rotating control
- ◇ Focus: Manually adjustable

- ◇ **Power Voltage:** AC230V, 50Hz or AC110V, 60Hz
- ◇ **Power Consumption:** 43.3W
- ◇ **Power Cable Daisy Chains:** 28 Fixtures Max. (230V, 50Hz)
- ◇ **LED Sources:** 1 x 25W White LEDs
- ◇ **Weight:** 3.6kgs
- ◇ **Dimension:** 255 x 245 x 196mm



3. How To Set The Unit

3.1 Control Panel



1. **POWER:** Turns on/Off the power.
2. **Fuse(T 1A):** Protects the unit from over-voltage or short circuit
3. **POWER IN:** Connects to power supply
4. **POWER OUT:** Connects to next fixture